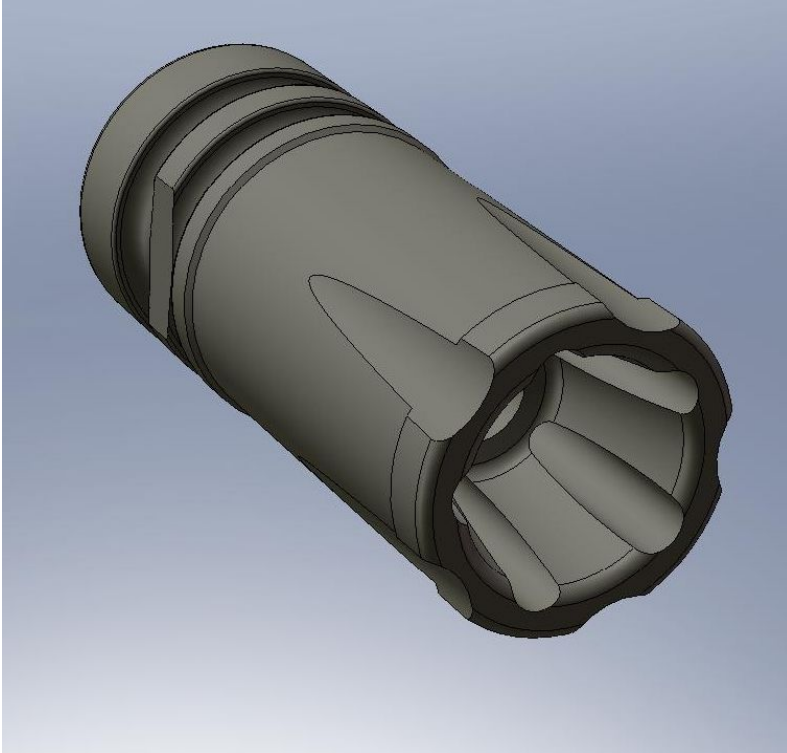


Black River Tactical
Covert Compensator Flash Hider
Data Sheet



Part #:
FLBS-1-68-DPMS

Length: 2.0"

Diameter: .862"
(22mm)

Weight: 2.8 oz

Thread: 1/2-28 for
6.8mm / .277
caliber

Finish: Mil Spec
Manganese
Phosphate

MSRP: \$64.95

Features

The Covert Comp provides a unique combination of flash suppression, recoil compensation and low blast not found in other muzzle devices. The unique design directs blast downrange and away from the shooter.

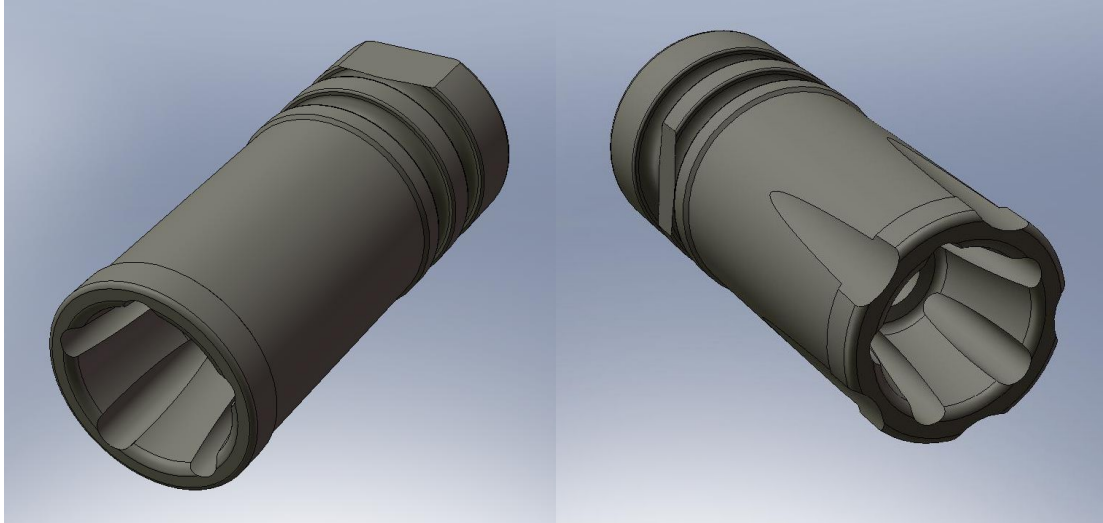
It moderates felt recoil, allowing for faster follow up shots. The Covert Comp provides flash suppression nearly as good as the A2 style dedicated flash hider.

The Covert Comp is a great general purpose muzzle device and is a good alternative to an A2 style flash hider.

Made from Tungsten Enhanced Chrome-Moly steel then through hardened for maximum strength and toughness.
Includes wrench flats for easy installation.

Black River Tactical LLC
Manufacturer of premium quality AR15/M16 components for military, law enforcement and recreational use.

Black River Tactical Covert Compensator Flash Hider **Installation Instructions**



Part #s: FLBS-1-68-DPMS, FLBS-1-556

Warning

Always verify the firearm is unloaded and in a safe condition before performing any work.

This product must be installed by a qualified gunsmith.

FLBS-1-68-DPMS is designed only for use with firearms chambered in 6.8x43 / 6.8SPC caliber with 1/2-28 barrel thread.

FLBS-1-556 is designed only for use with firearms chambered in 5.56mm / .223 REM caliber with 1/2-28 barrel thread.

Procedure

- 1) Secure the barrel in a barrel vice and unscrew the existing muzzle device
- 2) Install the Covert Comp into the barrel threads.
No washer is required. A crush washer is not recommended, as it may prevent the exit aperture from being properly aligned with the bore.
If clocking or indexing is desired, only a mil-spec laminated peel washer is to be used.

3) Torque to a maximum of 15 ft-lbs

Black River Tactical LLC
Manufacturer of premium quality AR15/M16 components for military, law enforcement and recreational use.